

UNIC



V230

Truck-Mounted UNIC Crane UR-V230 SERIES
For Light-Duty truck.

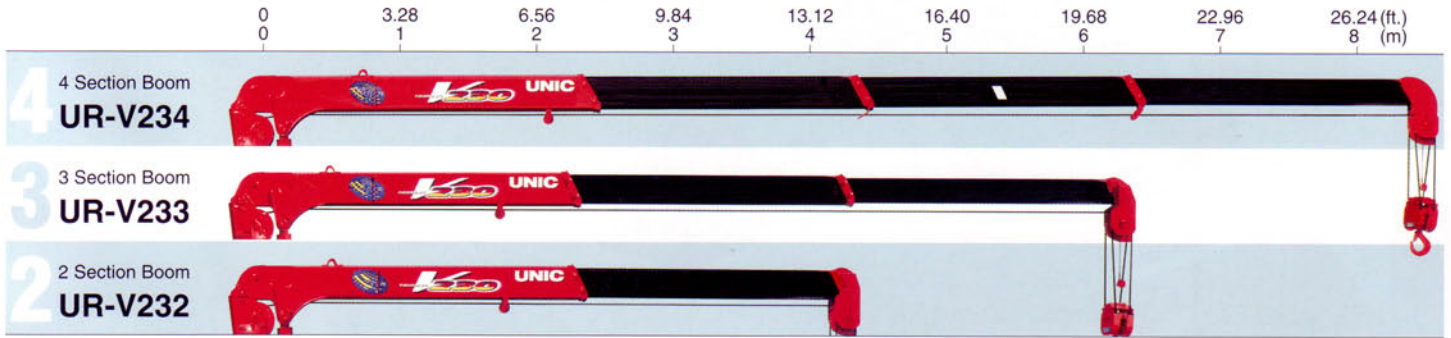
maximum lifting capacity. **2,330 kg.**

9.5 m. maximum hook height
(4 section boom).



FURUKAWA UNIC CORPORATION

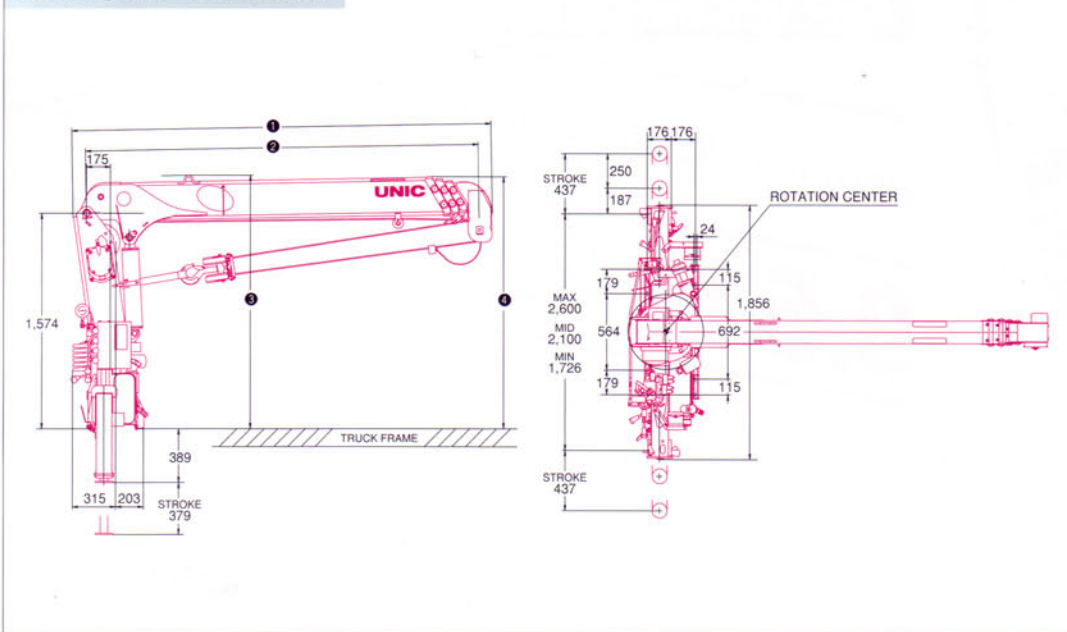
UNIC UR-V230 Series Line-up



Specifications Table

| UR-V230 series | | UR-V234 | UR-V233 | UR-V232 |
|--------------------------|------|---------------------------------|---------------------------------|---------------------------------|
| Maximum Lifting Capacity | lbs. | 5,135 lbs. at 5.58 ft. | 5,135 lbs. at 5.58 ft. | 5,135 lbs. at 5.58 ft. |
| | kg. | 2,330 kg. at 1.7 m. | 2,330 kg. at 1.7 m. | 2,330 kg. at 1.7 m. |
| Maximum Hook Height | ft. | Max. 31.16 ft. | Max. 24.27 ft. | Max. 17.71 ft. |
| | m. | Max. 9.5 m. | Max. 7.4 m. | Max. 5.4 m. |
| Maximum Working Radius | ft. | Min. 2.23 ft. to Max. 27.65 ft. | Min. 1.97 ft. to Max. 20.43 ft. | Min. 1.94 ft. to Max. 13.87 ft. |
| | m. | Min. 0.68 m. to Max. 8.43 m. | Min. 0.60 m. to Max. 6.23 m. | Min. 0.59 m. to Max. 4.23 m. |
| Boom Length | ft. | Min. 9.41 ft. to Max. 28.21 ft. | Min. 8.50 ft. to Max. 20.99 ft. | Min. 8.20 ft. to Max. 14.43 ft. |
| | m. | Min. 2.87 m. to Max. 8.60 m. | Min. 2.59 m. to Max. 6.40 m. | Min. 2.50 m. to Max. 4.40 m. |
| Boom Sections | | 4 | 3 | 2 |
| Boom Raising Angle | | Min. 1° to Max. 76° | | |
| Slewing Angle | | 360° Continuous | | |

Drawing: UR-V234 (Unit: mm)



NOTE

- Rated loads shown in the chart are based on the crane strength with the outriggers fully extended on a firm level ground and on the actual working radius including the deflection of boom.
- The weights of hook (66 Lbs. / 30 kg.), slings, and any accessories attached to the boom or loadline must be deducted from the above capacities in the chart.
- Capacities shown must reduce in accordance with vehicle weight and loaded condition of truck, crane mounting position, and operating speed.
- The figures in relation to the speed are on the basis of no-load running at rated oil flow conditions.
- In accordance with our policy of constant product improvement, all specifications are subject to change without notice or obligations.



HOOK
+
SLINGS
+
LOAD
=
RATED LOAD

Crane Mounting Dimensions

| Crane Model | ① | ② | ③ | ④ |
|-------------|-------|--|-------|-------|
| UR-V234 | 3,065 | Min. 2,870 ~ Mid. 4,800 ~ 6,700 ~ Max. 8,600 | 1,849 | 1,840 |
| UR-V233 | 2,784 | Min. 2,590 ~ Mid. 4,520 ~ Max. 6,400 | 1,826 | 1,816 |
| UR-V232 | 2,694 | Min. 2,500 ~ Max. 4,400 | 1,826 | 1,816 |

FURUKAWA UNIC CORPORATION

Head Office: Center Bldg., 3-12, Higashishinagawa 2-chome, Shinagawa-ku, TOKYO 140-0002 JAPAN

Phone: (81-3) 5460-4161 / Facsimile: (81-3) 5460-4191

URL <http://www.furukawaunic.co.jp/>