

UNIC

Truck Mounted UNIC Crane UR-1504



FURUKAWA UNIC CORPORATION

30,000 lbs. maximum lifting capacity. Fully automatic telescoping 4-section boom. 115.1 ft. maximum sheave height (with 24 ft. jib). Mountable on 26,000 lbs. G.V.W. trucks.

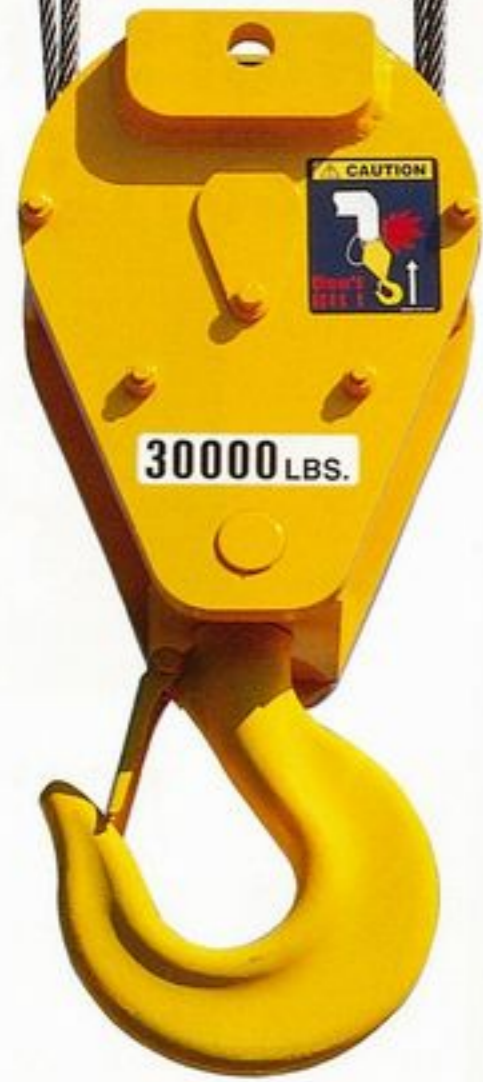


The newly developed UNIC UR-1504 gives you 30,000 lbs. lifting capacity and more. Sheave height above ground level is 115.1 ft. (with optional jib). It's a cut above everything else in this category. Until now, cranes with this level of performance could only be mounted on trucks of 33,000 lbs. or more.

But now -- the UNIC UR-1504 permits mounting on even 26,000 lbs. G.V.W. trucks. The UNIC UR-1504 provides remarkable capability for a wide range of applications.



**The UR-1504 Crane:
The easy-to-use,
high-powered crane
for high elevations.**



**30,000 lbs. lifting
capacity at 4 ft.**

The UNIC UR-1504 can be mounted on a 26,000 lbs. G.V.W. truck with a maximum lifting capacity of 30,000 lbs. at 4 feet.

Easy jib setting

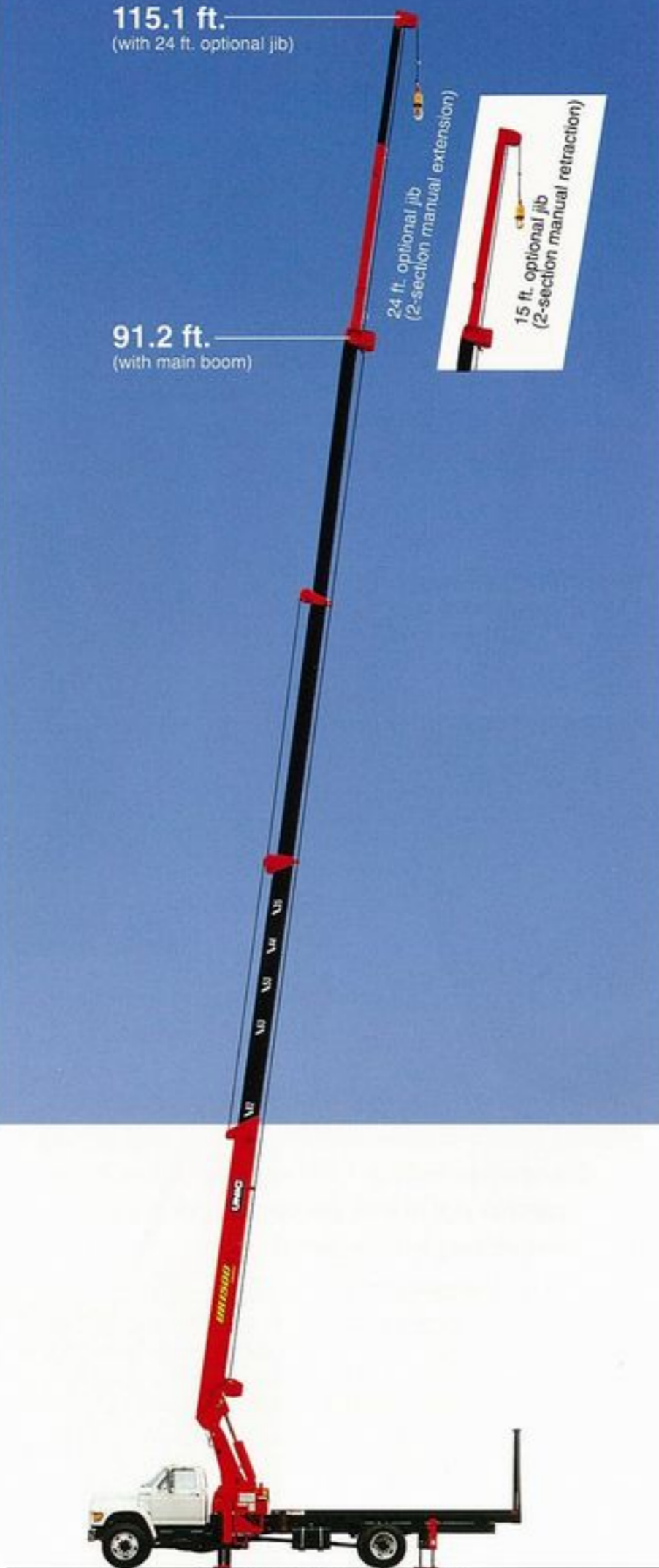


**Sheave height above
ground level is 115.1 feet**
(with optional jib)

The UNIC UR-1504 has a fully automatic telescoping 4-section boom. The boom smoothly extends hydraulically to 91.2 feet for operations at greater heights. With the optional jib in place sheave height reaches 115.1 feet.

115.1 ft.
(with 24 ft. optional jib)

91.2 ft.
(with main boom)



• Crane operating position

Control levers

The easy-to-grip clearly labeled control levers provide smooth operation.



Variable winch speed

The UNIC UR-1504 winch speed can be adjusted with gentle pressure on the control lever from low speed to high speed, which makes for quick efficient operations. Since the winch is mounted to the underside of the boom, access and maintenance are simple.



Continuous rotation

Since the UNIC UR-1504 comes standard with 360° continuous rotation, it can rotate more quickly to where the cargo is located.



Over-front Alarm

The instant the crane slews from either side to the frontal area, a buzzer alarm sounds immediately to signal danger.



Greater safety

A warning alarm sounds when the Main Outriggers are being extended.



Rear outriggers increase crane stability

Rear outriggers are extendable to a maximum width of 11.5 feet.



Safety

The anti two-block system, standard equipment, ensures the winch stops automatically before overwinding occurs.



Safe operations

With UNIC's load moment indicator system (optional), the crane stops automatically in the event of overload.

UNIC UR-1504 SPECIFICATIONS TABLE

Crane Model		UR-1504
Maximum Lifting Capacity		30,000 lbs at 4.0 ft with 4-parting of loadline 13,620 kg at 1.22 m with 4-parting of loadline
Maximum Sheave Height		91.2 ft (with main boom) / 115.1 ft (with 24 ft jib) 27.8 m (with main boom) / 35.1 m (with 7.3 m jib)
Maximum Working Radius		80.4 ft 24.5 m
Main Boom	Section	4-section
	Structure	6 sided (Hexagonal) box beam type telescoping boom is full hydraulic powered
	Length	Min. 25.0 ft to Max. 82.0 ft Min. 7.62 m to Max. 25.0 m
	Telescoping Cylinder	Double acting type with counter balance valve
	Extending Speed	57.0 ft / 63.0 sec. 17.38 m / 63.0 sec.
	Raising Cylinder	Double acting type with counter balance valve
	Raising Speed	-10° to 82° / 16.2 sec.
Jib (optional)	Structure	2-section manual extension / retraction
	Length	Min. 15.0 ft to Max. 24.0 ft Min. 4.57 m to Max. 7.32 m
Winch	Structure	Hydraulic motor driven planetary gear reduction with automatic mechanical brake
	Single Line Pull	8,700 lbs at 1st layer 3,950 kg at 1st layer
	Single Line Speed	112 FPM at 3rd layer (LO.) / 223 FPM at 3rd layer (HI.) 34.0 m / min. at 3rd layer (LO.) / 68.0 m / min. at 3rd layer (HI.)
Wire Rope	Construction	6XWS (31) IWRC
	Diameter X Length	9/16 inch X 236 ft 14 mm X 72.0 m
	Breaking Strength	33,920 lbs 15,400 kg
Swing Structure		Hydraulic motor driven, worm and spur gear reduction with worm self-locking brake
Swing Range		360° continuous rotation on a ball bearing race
Slewing Speed		1.4 rpm
Main Outriggers	Structure	Vertical jacks and horizontal beams
	Vertical Jacks	Double acting hydraulic cylinders with pilot-operated check valves
	Horizontal Beams	Double acting hydraulic cylinders with pilot-operated check valves
Rear Outriggers (optional)	Span	Retracted : 7.4 ft to Extended : 18.7 ft Retracted : 2.26 m to Extended : 5.7 m
	Structure	Vertical jacks and horizontal beams
	Vertical Jacks	Double acting hydraulic cylinders with pilot-operated check valves
Control Valve Structure	Horizontal Beams	Double acting hydraulic cylinders with pilot-operated check valves (optional)
	Span	Retracted : 7.4 ft to Extended : 11.5 ft Retracted : 2.26 m to Extended : 3.5 m
	Pressure	Multipule control valve, spring centered, spool-type, with pressure relief valve
System	Pump	2,850 PSI (all functions) 200 kg / cm ² (all functions) 3-section gear pump
	Flows	26.4 GPM 100 liter / min. (Winch) 26.4 GPM 100 liter / min. (Boom) 12.7 GPM 48 liter / min. (Swing) at pump 2,000 rpm
	Hydraulic Reservoir	50.2 gallon 190 liter
Total Crane Weight		12,110 lbs 5,496 kg
Truck		Minimum Vehicle GVW 26,000 lbs Minimum Vehicle GVW 11,800 kg
Safety Devices		ML-3A [Load Moment Indicator System (optional)] / Hydraulic Capacity Alert System (optional) Anti Two-Block System / Outrigger Motion Alarm / Over Front Alarm

Note: The figures in relation to the speed are on the basis of no-load running at rated oil flow condition.

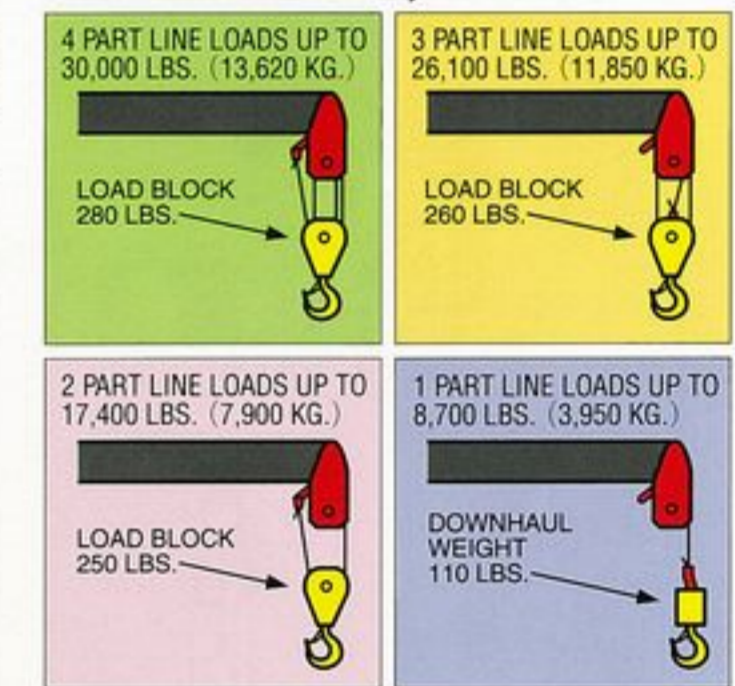
UR-1504 TYPE RATED LOAD

WORKING RADIUS	feet	~4	5	8	10	12	15	20	25	30	35	40	45	50	55	60	65	70	75	Stowed jib Deductions	
25 ft / 7.62 m BOOM	meter	~1.22	1.52	2.44	3.05	3.66	4.57	6.10	7.62	9.14	10.67	12.19	13.72	15.24	16.76	18.29	19.81	21.34	22.86	450	
	lbs.	30,000	24,000	16,800	14,200	12,200	10,100	7,250													200
	kg.	13,620	10,900	7,630	6,450	5,540	4,590	3,290													325
35 ft / 10.67 m BOOM	lbs.			14,200	13,400	11,500	9,530	7,330	5,500	4,100											150
	kg.			6,450	6,080	5,220	4,330	3,330	2,500	1,860											260
44 ft / 13.41 m BOOM	lbs.				14,200	13,000	11,100	9,130	7,030	5,500	4,000	3,000	2,300								120
	kg.				6,450	5,900	5,040	4,150	3,190	2,500	1,820	1,360	1,040								215
53 ft / 16.15 m BOOM	lbs.					12,600	10,800	8,830	6,730	5,430	4,330	3,300	2,500	1,910	1,430						100
	kg.					5,720	4,900	4,010	3,060	2,470	1,970	1,500	1,140	870	650						180
63 ft / 19.2 m BOOM	lbs.						9,430	7,730	6,430	5,230	4,230	3,350	2,640	1,990	1,600	1,200	890				80
	kg.						4,280	3,510	2,920	2,370	1,920	1,520	1,200	900	730	540	400				140
82 ft / 25.0 m BOOM	lbs.								4,700	3,650	3,050	2,560	2,110	1,760	1,520	1,250	990	770	590	390	60
	kg.								2,130	1,660	1,380	1,160	960	800	690	570	450	350	270	180	

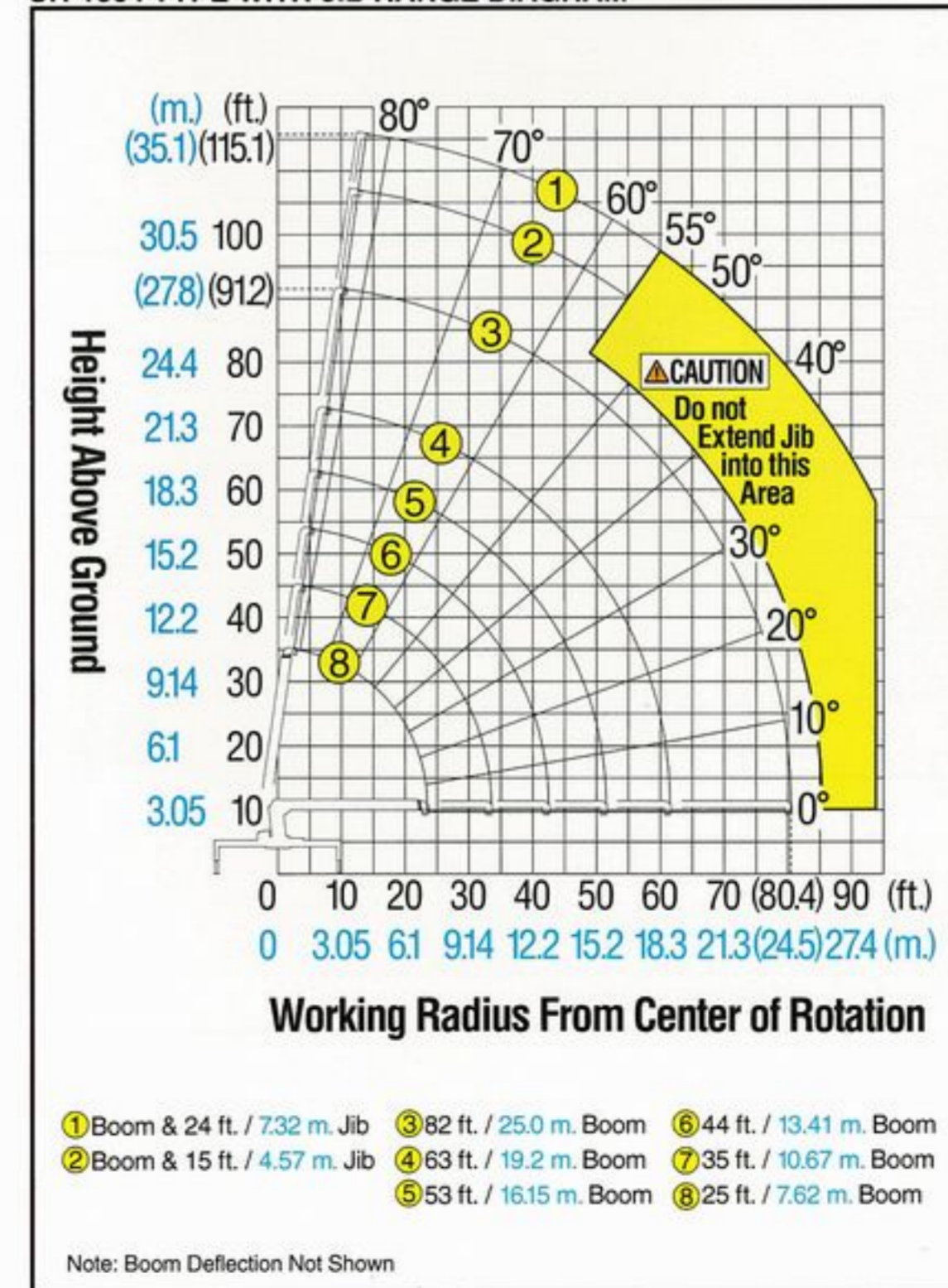
JIB CAPACITIES FOR ALL BOOM LENGTHS

WORKING RADIUS	θ	80°	75°	70°	65°	60°	55°
feet		17.6	26.6	35.4	43.9	52.1	59.8
meter		5.36	8.10	10.79	13.38	15.87	18.24
24 ft / 7.3 m JIB	lbs.	1,760	1,430	1,140	880	660	490
	kg.	800	650	520	400	300	220

The wire rope loadlines used on this crane have specific load limitations, as follows:

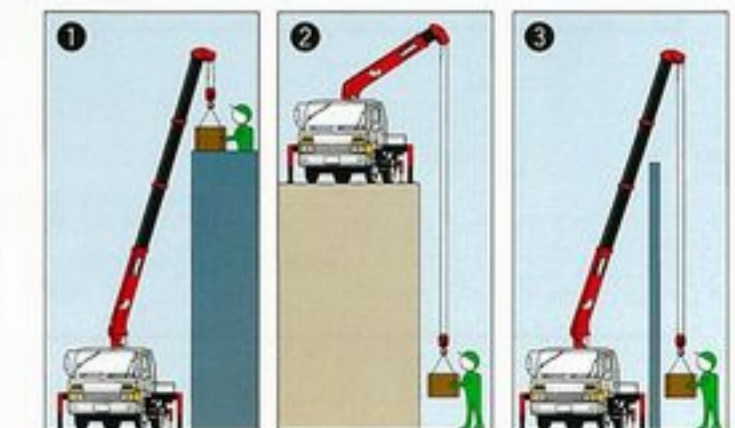


UR-1504 TYPE WITH JIB RANGE DIAGRAM



UNIC cranes: High, low or tight, they're safe, sure, dependable.

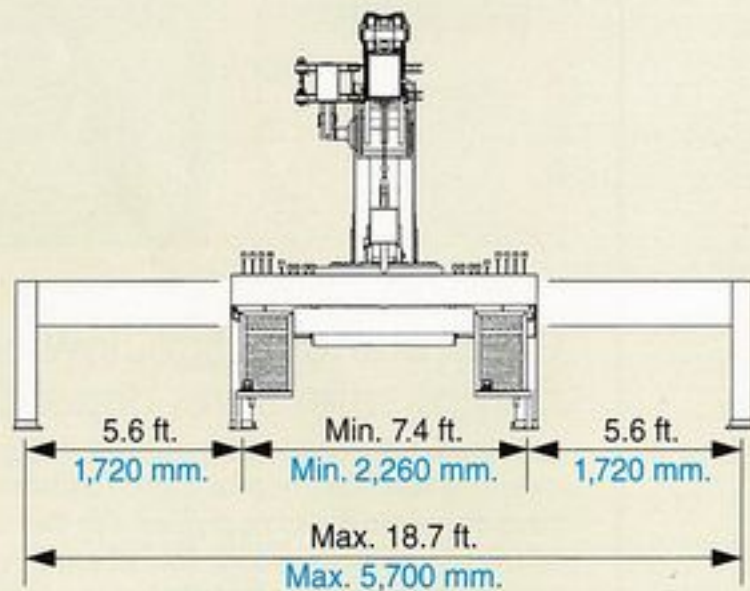
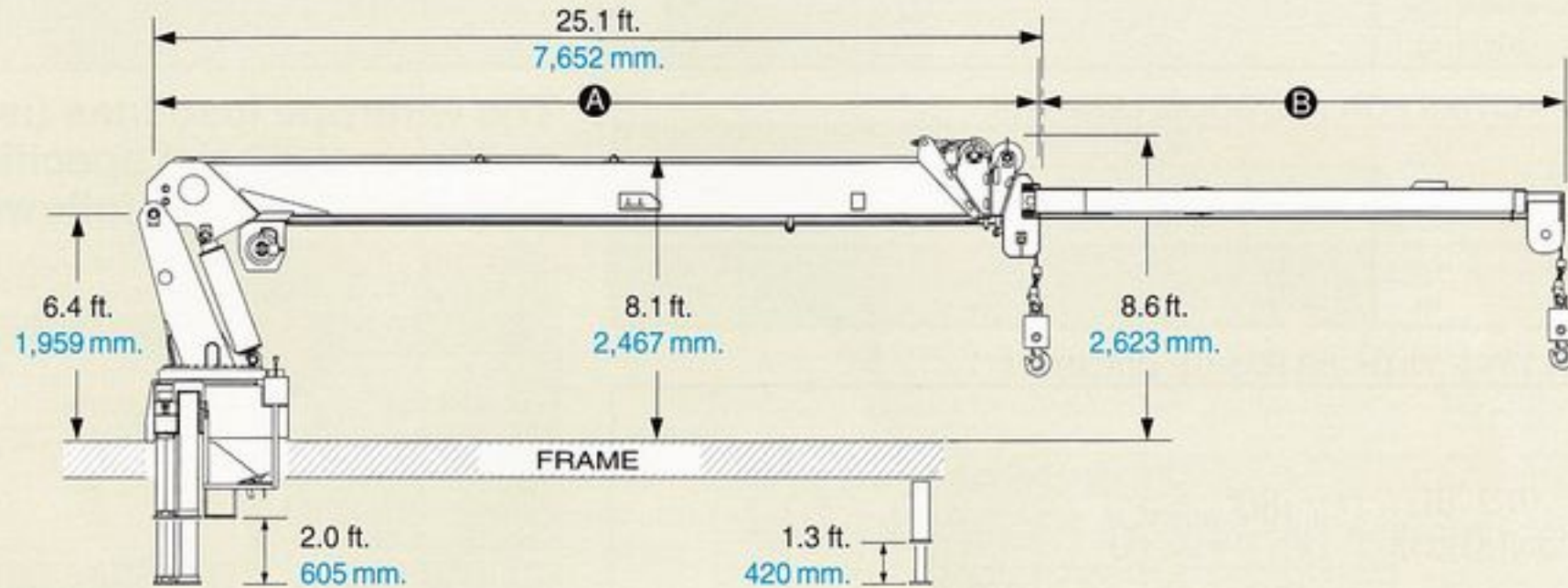
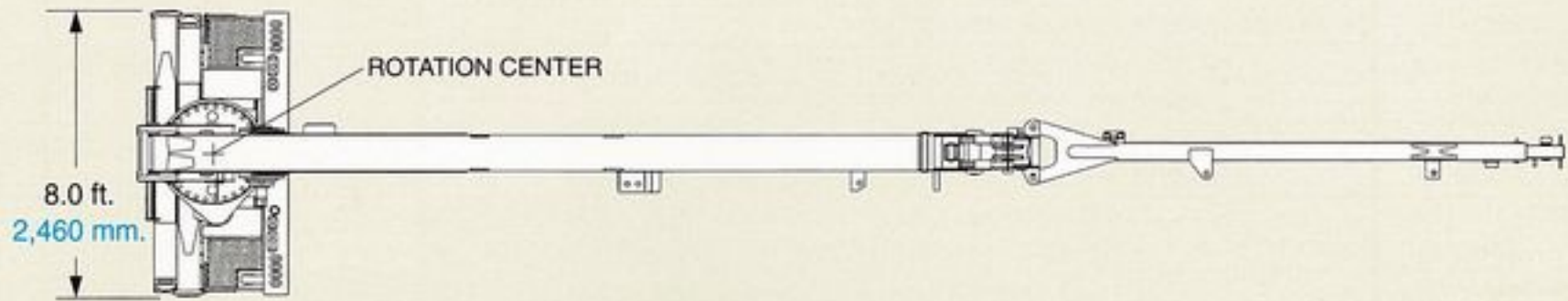
High or low tight, UNIC straight-boom wire-rope cranes match the task. They're great high-lift performers. Lifting loads over walls is also no problem with their unrestricted raising and lowering. In deep-hole jobs they're strong, and accurate. Many extra safety features, too.



- 1 Precise high-lift placement. Safe operation. Strength and design are the keys.
- 2 Accuracy and stability in deep-hole jobs. Many models for all kinds of jobs.
- 3 Precise high-lift placement. Safe operation. Strength and design are the keys.

●UR-1504 Mounting Dimension

Unit	A Main Boom	B Jib (optional)
feet	Min. 25.0 ~ Mid. 35.0 ~ 44.0 ~ 53.0 ~ 63.0 ~ Max. 82.0	Min. 15.0 ~ Max. 24.0
millimeter	Min. 7,620 ~ Mid. 10,670 ~ 13,410 ~ 16,160 ~ 19,200 ~ Max. 25,000	Min. 4,570 ~ Max. 7,320



⚠ NOTE

- 1) Rated loads shown in the chart are based on the crane strength with the outriggers fully extended with rear-outrigger [optional] on a firm level ground and on the actual working radius including the deflection of boom.
- 2) The weights of hook (Single-wire hook: 110 lbs. / 50 kg. 4-parting of loadline hook [optional]: 265 lbs. / 120 kg.), slings, and any accessories attached to the boom or loadline must be deducted from the above capacities in the chart.
- 3) Capacities shown must reduce in accordance with vehicle weight and loaded condition of truck, crane mounting position, and operating speed.
- 4) The figures in relation to the speed are on the basis of no-load running at rated oil flow conditions.
- 5) In accordance with our policy of constant product improvement, all specifications are subject to change without notice or obligations.

FURUKAWA UNIC CORPORATION

Head Office: Center Bldg., 3-12, Higashishinagawa 2-chome, Shinagawa-ku, Tokyo, 140-0002 JAPAN
 Phone: (81-3) 5460-4161 Facsimile: (81-3) 5460-4191